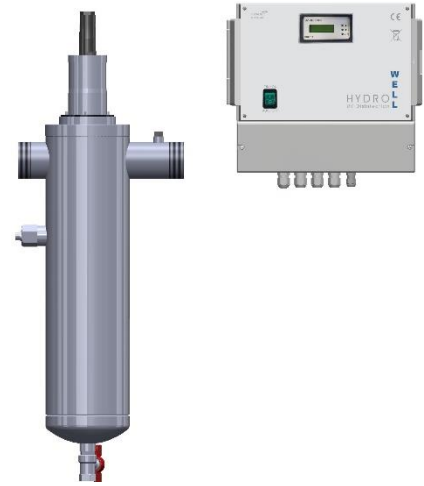


HydroWELL® (the Successor to HydroPUR) Compact 5E



ITEM	RATING
Water Treatment Assembly	
Flow Rate at 400 J/m ² (40 mJ/cm ²)	1.25/s (4.51m ³ /h)
Flow Rate at 300 J/m ² (30 mJ/cm ²)	1.75l/s (6.31m ³ /h)
Flow Rate at 250 J/m ² (25 mJ/cm ²)	2.00l/s (7.21m ³ /h)
Operating pressure	0 - 16 bar
Pressure loss at nom. flow	<100mbar
Water temperature	5-50°C
Max. ambient temperature	40°C
Inlet/outlet connections	1 ½" BSP male thread
Material	Stainless Steel 316
Weight empty	11kg
Operating weight	15kg
Control Box	
Power supply	230V/1ph/50Hz
Max. power consumption	100W
Enclosure protection	IP54
UV Lamp	
Model	Mercury low pressure with indium-amalgam
Type	Ecolux 30N
Quantity	1
Serviceable life	8,000h
UV power new lamp	27W
After serviceable life	16W

Biological Control by Ultra Violet Disinfection

For the bacterial control of the water system a HydroWELL® ultraviolet disinfecting unit shall be installed.

The location of installation should be determined by the review of the system design by Hydrotec.

The unit shall comprise a housing containing the UV lamp, with a UV sensor fitted as standard. The UV sensor is to provide the user with a continuous UV light intensity indication.

The UV lamp will have a doped quartz glass sleeve to prevent the formation of ozone and nitrates.

The unit shall incorporate a unique internal water flow path to prevent bacterial shadowing. Moreover, a particulate removal filter should be installed upstream of the UV unit to reduce the shadowing effect further as well as to prevent the fouling of the quartz sleeve and UV sensor.

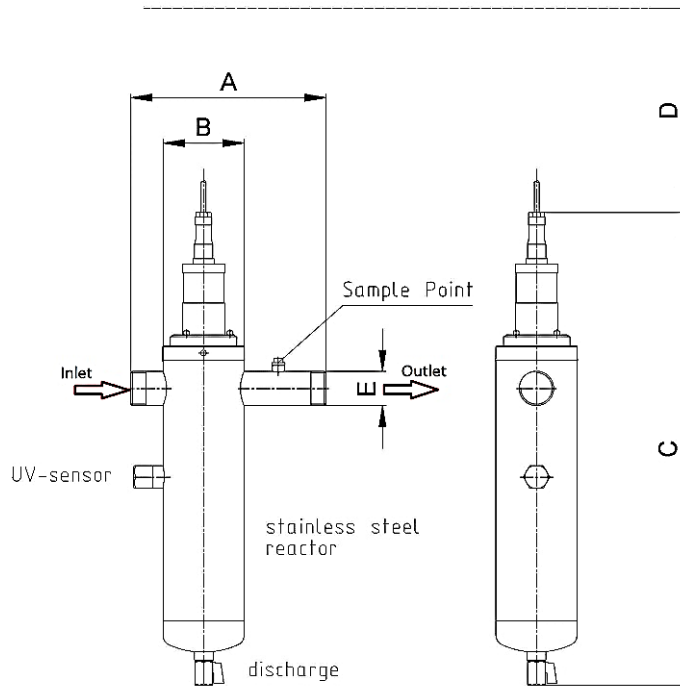
A digital display on the control box shall be provided as standard for a visual representation of the UV intensity as well as operational hours. Volt free connections to a BMS system are provided.

A control box should be connected to a 230V/1ph/50Hz supply through a 5A fused spur.

The unit should be independently tested and validated in accordance with BS EN 14897:2006 + A1:2007.

The unit is to be a HydroWELL® Compact 5E as detailed in adjacent technical data table.

HydroWELL® Compact 5E



Compact 5E		
Control box	W x H x D	330 x 305 x 170 mm
Block Dimensions		
Length	A	275mm
Depth	B	115mm
Height	C	700mm
Distance	D	>500mm
Inlet/ outlet connections	E	1.5" BSP

Subject to technical revisions and modifications

Hydrotec
 Hydrotec House
 5 Manor Courtyard
 Hughenden Avenue
 High Wycombe
 Bucks HP13 5RE
 Tel: +44 (0) 1494 796040
 Fax: +44 (0) 1494 796049
 E-mail: sales@hydrotec.co.uk
 Website: www.hydrotec.co.uk