

HYDROSOLV®

Type: AK

Application

HYDROSOLV® filter used for the treatment of natural water, removal of pesticides and chlorine reduction.

Thanks to the large inside surface and the high bond capacity, the active carbon material removes organic molecules from the water and bonds flavouring and odour substances.

The water to be treated shall be free from any mechanic contamination.

The active carbon is to be replaced once the remaining chlorine content exceeds the admissible value.

Function

The HYDROSOLV® filter designed and constructed as single tank filter.

A fully automatic operation is guaranteed by a modern and efficient micro processor control. Backwash is initiated preferably with time control and, on request, with volume control (option).

The following functions and display monitoring can be read of the control:

Diagnostic mode
Days since last regeneration
History



Description / Scope of Supply

HYDROSOLV® filter consisting of:

- 1 x pressure vessel
- 1 x filter material (active carbon, quartz gravel)
- 1 x central control valve
 - 1" - Noryl
 - 1 ½" and 2" - brass with epoxy resin coating
- 1 x vane-type water meter (option)
- 1 x plug power (mains) unit
- 1 x O&M

Accessories

- Assembly unit DN 25 (without blending unit)
- Assembly unit DN 40 (without blending unit)
- Flexible hoses 1"
- Flexible hoses 1 ½"
- Hard water stop DN 25
- Hard water stop DN 40
- Throttle valves to adjust the volume flow DN 25

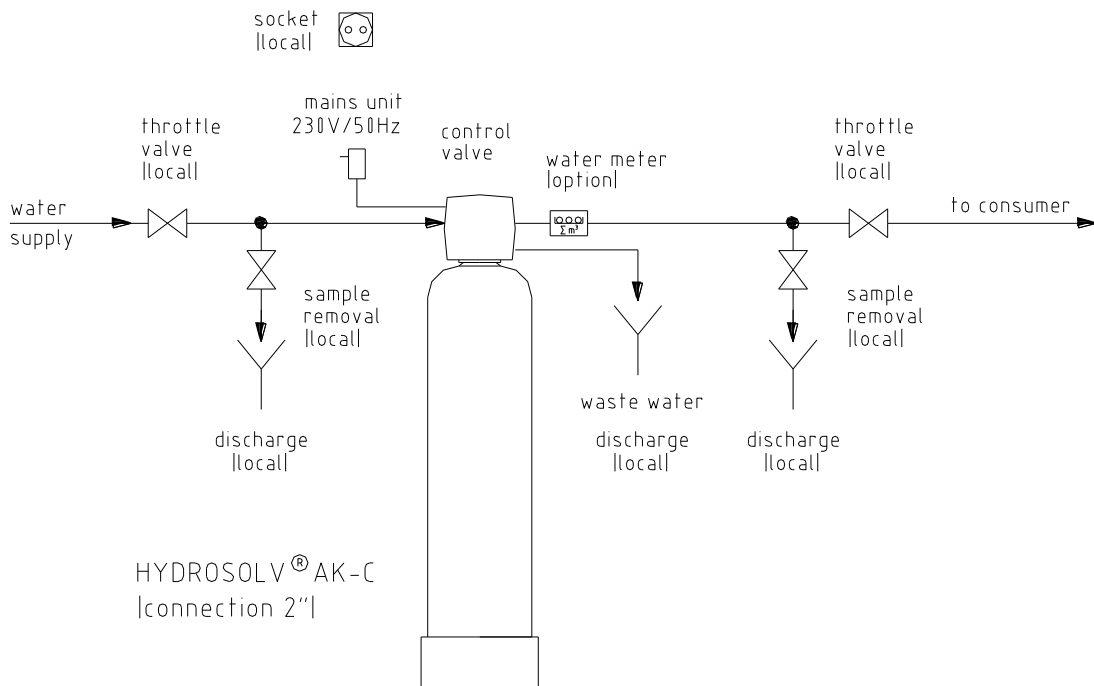
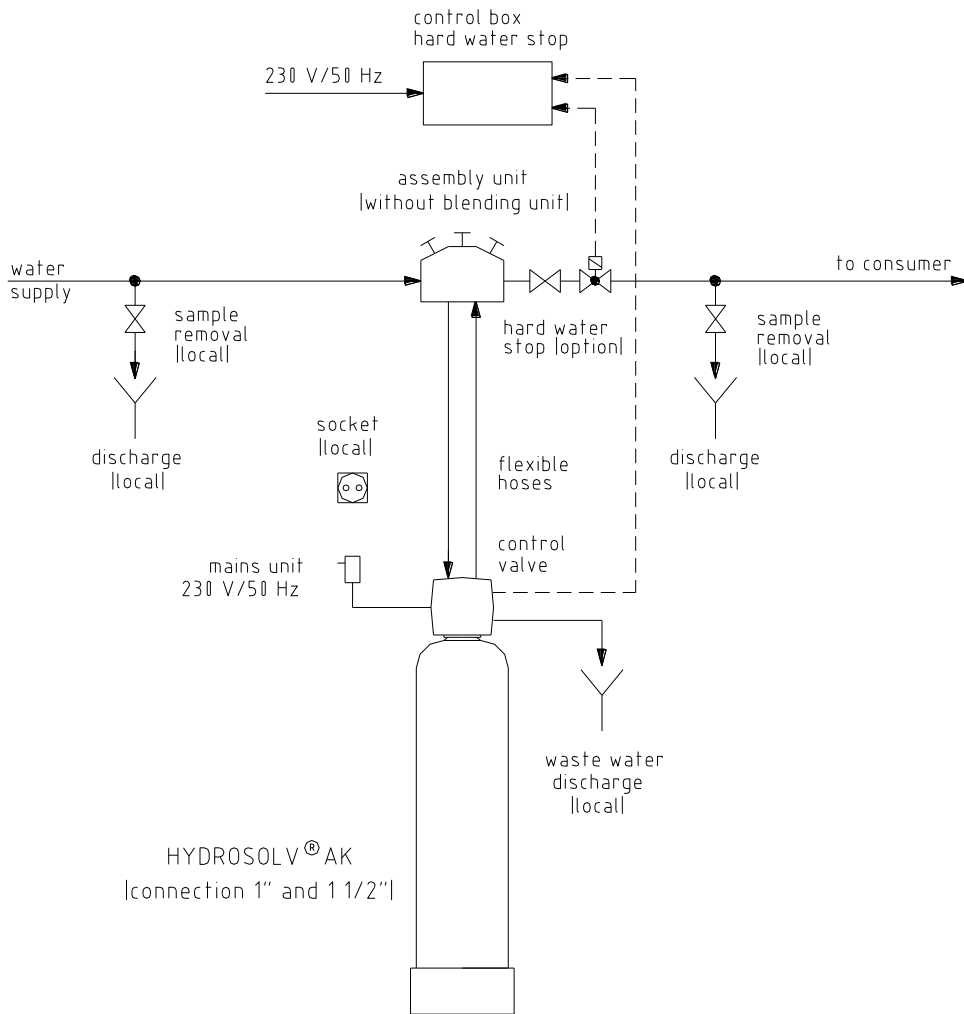
Notes / Conditions of Installation

- The technical data and any general technical regulation as well as local installation rules shall be considered and guaranteed.
- The ambient temperature as well as any possible radiation heat shall not exceed 40°C.
- The installation site shall be resistant to frost.
- The installation site shall be free from fumes from solvents, color, lacquer and chemicals.
- A mains socket (230 V / 50 Hz) shall be provided adjacent to the system.
- A drain shall be provided (DN 80 min.) for backwash water.

HYDROTEC

Hydrotec House, 5 Manor Courtyard, Hughenden Avenue
High Wycombe, Bucks HP13 5RE

T: 01494 796040 F: 01494 796049 E: sales@hydrotec.co.uk
www.hydrotec.co.uk



HYDROTEC

Hydrotec House, 5 Manor Courtyard, Hughenden Avenue
High Wycombe, Bucks HP13 5RE

T: 01494 796040 F: 01494 796049 E: sales@hydrotec.co.uk

www.hydrotec.co.uk

Technical data		HYDRO SOLV® AK								
Type		1054	1354	1465	1665	1865	2162	2472	3072	3672
Connection feed / outlet		DN 25 (R 1" M)					DN 40 (R 1 1/2" F)		DN 50 (R 2" F)	
Connection waste water		DN 20	DN 20	DN 25	DN 25	DN 25	DN 25	DN 25	DN 25	DN 32
Drain line (min.)		DN 100								
Connected load		230 V / 50 Hz AC								
Electrical connection		12 V AC / 500 mA								
Operational pressure min. / max.		2,0 bar / 8,0 bar								
Water temperature min. / max.		5 °C / 30 °C								
Ambient temperature max.		5 °C / 40 °C								
Resin vessel volume	Ltr.	63	105	150	194	257	330	473	704	998
Diameter pressure tank	mm	257	336	363	413	486	550	626	779	931
Filling										
Active carbon	Ltr.	40	70	100	120	150	200	280	350	370
Quartz gravel	kg	12,5	12,5	25	25	38	50	70	100	175
Backwash	Min.	10	10	10	10	10	10	10	10	10
Rinse	Min.	5	5	5	5	5	5	5	6	6
Flow *)	m³/h	1,0	1,5	2,2	3,0	3,5	4,5	5,0	7	10
Min. required backwash flow volume	m³/h	1,5	2,3	2,5	3,0	4,5	6,0	8,0	12	17
Backwash water volume	m³	0,4	0,6	0,6	0,7	1,1	1,4	1,9	3,2	4,5
Dimensions										
H = Height max.	mm	1800	1800	2100	2100	2150	2150	2350	2500	2600
H1 = Height pressure tank	mm	1386	1393	1674	1671	1722	1721	1915	1892	1916
H2 = Height feed / outlet control valve	mm	1441	1448	1729	1726	1777	1786	1980	2041	2065
H3 = Height with control valve	mm	1566	1573	1854	1851	1902	1901	2095	2170	2200
B = Width max.	mm	300	350	380	420	500	600	650	800	950
T = Depth max.	mm	300	350	380	420	500	600	650	800	950
Operational weight max.	kg	62	100	147	188	255	327	440	712	1016

*) Actual flow dependent on water quality and local installation.

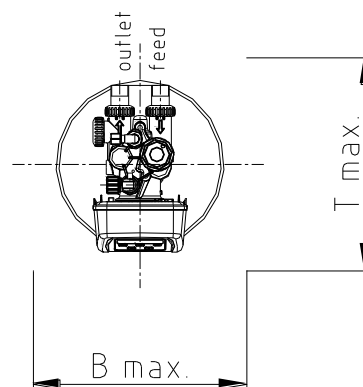
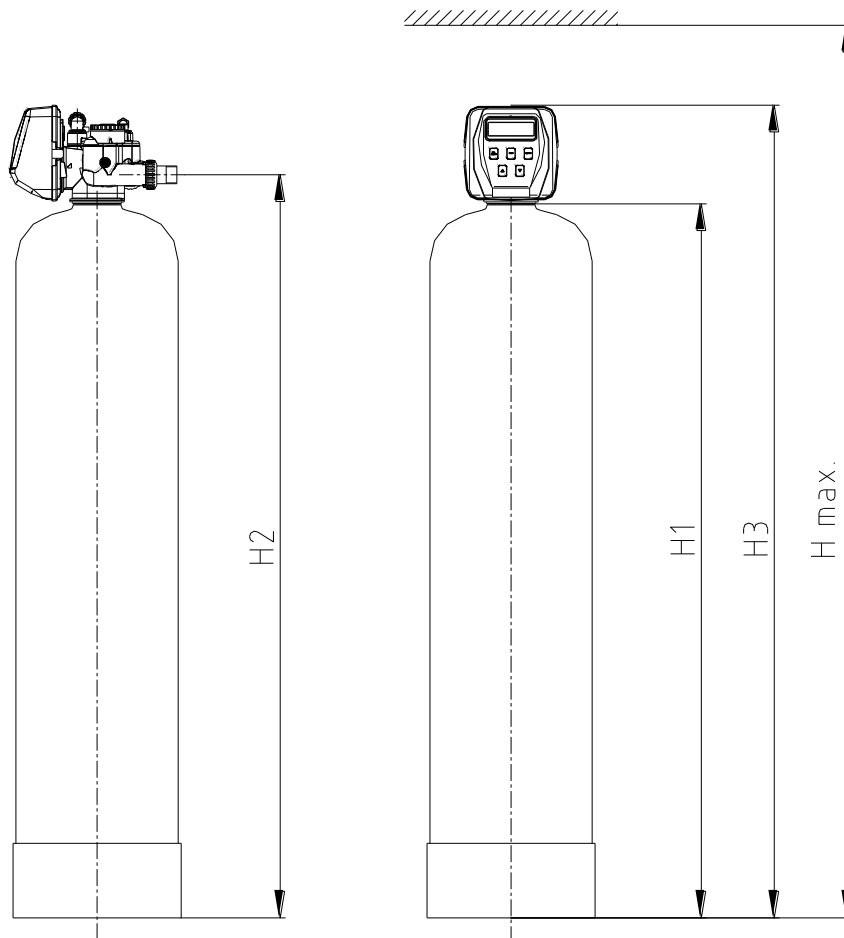
Note: Technical layout necessary!

HYDROTEC

Hydrotec House, 5 Manor Courtyard, Hughenden Avenue
High Wycombe, Bucks HP13 5RE
T: 01494 796040 F: 01494 796049 E: sales@hydrotec.co.uk
www.hydrotec.co.uk



HYDROSOLV® AK (connection 1")



HYDROSOLV® AK (connection 1 1/2" / 2")

