

HydroION® VAS 600-CS2B



| ITEM | RATING |
|--|-------------------------------|
| Regulatory Approval | WRAS |
| Standards Compliance | BS EN 14743:2005+A1:2007 |
| | DIN 1936-100:2008-02 |
| Performance Data | |
| Nominal flow rate | 6.67l/s (24m ³ /h) |
| Flow rate at blending to 60ppm | 8.33l/s (30m ³ /h) |
| Operating pressure | 2 – 8bar |
| Pressure loss at nom. flow | 1.94bar |
| Water temperature | 5 – 30°C |
| Ambient temperature | 5 – 40°C |
| Inlet/outlet connections | 50mm (1") |
| Drain line (min.) | 70mm (2") |
| Power supply | 230V/1ph/50Hz |
| Secondary electrical connection | 12V AC/500mA |
| Power consumption | 12W |
| Capacity and Consumption Data | |
| Capacity* | 96.2m ³ |
| Salt consumption per regen | 48kg |
| Waste water per regen | 3.66m ³ |
| Volumes and Weights | |
| Resin volume | 600l |
| Resin vessel volume | 704l |
| Brine tank volume | 920l |
| Regeneration salt stock | 325kg |
| Shipping weight (complete unit) ca. | 300kg |
| Operational weight (complete unit) ca. | 1550kg |

*Assumes a mains water hardness of 300ppm total hardness (as CaCO₃)

Scale Control by Water Softening

For the removal of the water hardness salts (calcium and magnesium) a base exchange water softener shall be employed.

The system should be WRAS approved.

Unit size is dependent on water flow rate, water hardness and volume requirement. The capacity and location for the installation of the HydroION® water softener should be determined by the review of the system design by Hydrotec.

The softener will employ a high efficiency strong acid cation exchange resin of high quality mono-spherical grade to ensure optimum performance at very low brining rates (80g/l). This will minimise salt use and environmental impact.

To maintain biological integrity of the water softener system, HydroION® water softeners, as standard, employ an anti-stagnation regeneration facility (typically 4 days). Moreover, an automatic disinfection of the resin bed is performed by the integrated chlorinator at every regeneration cycle.

Typically, the HydroION® CS softener is controlled by a water meter. As standard this can be adjusted to time control and as an option a water hardness monitoring system can be fitted to control the hardness level.

The simplex unit comprises a single resin vessels and a brine tank. It is controlled by an electronic control head with an integrated water meter.

All HydroION® CS units have an optional hard water blending system.

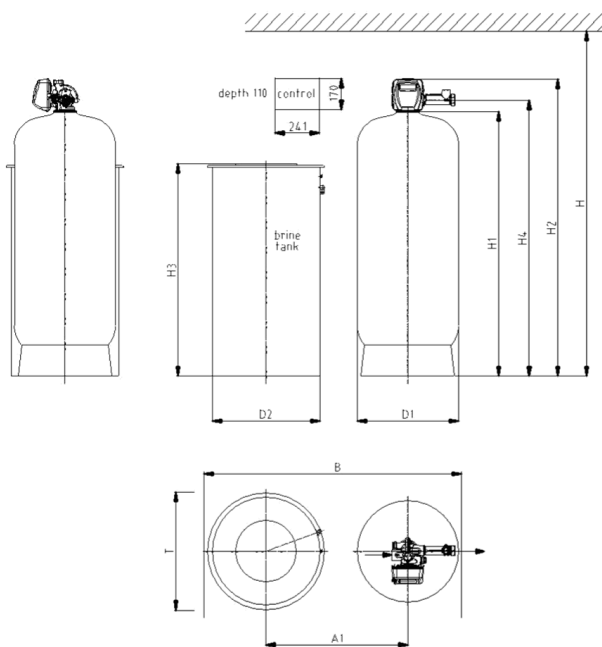
An LCD display indicates operational and fault status. Volt free connections to a BMS system are provided.

Power is to be provided through a 3A fused spur.

The unit is to be a HydroION® VAS 600-CS2B as detailed in the adjacent technical data table



HydroION® VAS 600-CS2B



| HydroION VAS 600-CS2B | | |
|-------------------------------------|-----------|--------------------|
| Control box with mounting board ca. | B x H x T | 330 x 220 x 130 mm |
| Block Dimensions | | |
| Height (min.) | H | 2660mm |
| Width (min.) | B | 2060mm |
| Depth (min.) | T | 1150mm |
| | | |
| Clearance tank/tank ca. | A1 | 1130mm |
| Diameter pressure tank | D1 | 779mm |
| Diameter brine tank | D2 | 1123mm |
| Height pressure tank (incl. foot) | H1 | 1892 ± 15mm |
| Height top control valve | H2 | 2160mm |
| Height brine tank | H3 | 1206mm |
| Height inlet/outlet | H4 | 2040mm |

Subject to technical revisions and modifications

Hydrotec
 Hydrotec House
 5 Manor Courtyard
 Hughenden Avenue
 High Wycombe
 Bucks HP13 5RE
 Tel: +44 (0) 1494 796040
 Fax: +44 (0) 1494 796049
 E-mail: sales@hydrotec.co.uk
 Website: www.hydrotec.co.uk