

# HydroFIL®

## Activated Carbon Cartridge Filter

### Type: AKF

### Application

Activated carbon cartridge filters are used for removal of chlorine from drinking water and for reverse osmosis systems pre-treatment.

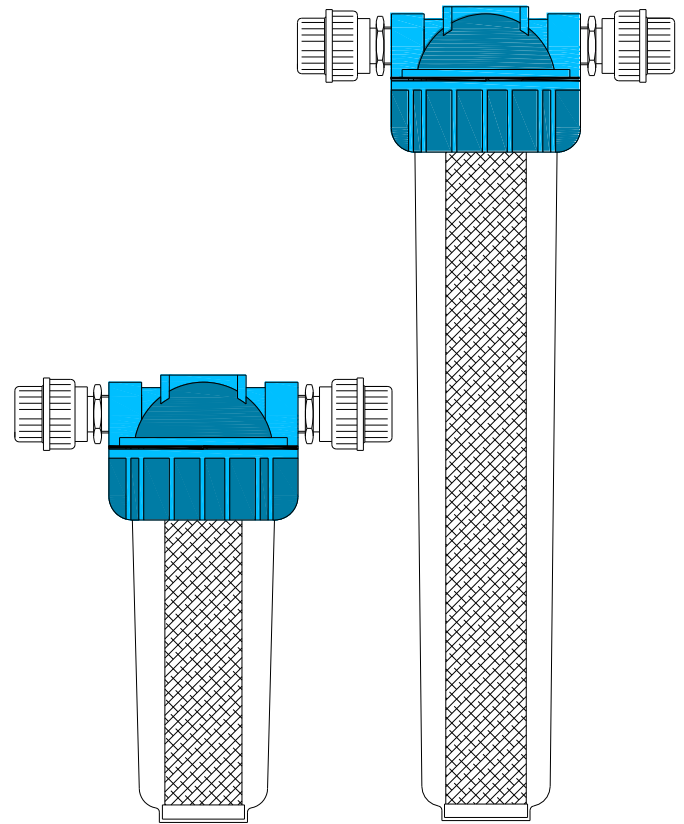
The water to be filtered should preferably be free from any mechanical contaminants.

Due to the surface reaction of the activated carbon with the still free activated chlorine in the drinking water, chloride is produced that does not charge the activated carbon. The chloride is discharged with the water. The surface reaction is subsequently reduced by the dirt particles in the water.

### Design

Activated carbon filter with one-way filter cartridge, suitable for use as water treatment and as visual control thanks to transparent filter housing. The device is demountable for an easy cartridge replacement. The local mains water feed can be connected easily to the inlet and outlet of the filter. An air bleed valve is provided in the filter head. Filter is only suitable for upright installation in a horizontal pipe.

Should the residual chlorine contents exceed 0.05 mg/l in the filtered water then the activated carbon filter cartridge must be replaced. Such replacement is necessary after 6 months at the latest.



### Scope of Delivery

HydroFIL® activated carbon filter cartridge consists of:

- 1 x filter head out of PP (seals EPDM)
- 1 x ventilation valve on filter head of PP
- 2 x screw connections of PVC-U (with adhesive union) DN 20
- 1 x transparent cylinder of SAN (styrene-acrylonitrile)
- 1 x activated carbon one-way filter cartridge (inner tube PP)
- 1 x internal pipe of PVC-U DN 20 (only AKF 1.0)
- 1 x manual

### Note / Installation Conditions

- Technical data and general technical standards as well as the local installation conditions are to be observed
- Installation of activated carbon filter cartridge according to DIN 1988 part 2.
- The ambient temperature and possible radiation heat may not exceed 40°C.
- The place of installation has to be frost protected.
- The installation site has to be free from solvent, colour, lacquer, and chemical fumes.
- Particulate removal filter should be installed upstream of the carbon filter to prevent unwanted coarse materials from entering the carbon filter.
- All pipework connections should be made pressure and tension free.
- Free access to the unit must be provided.

## Technical Data

HydroFIL®		AKF 0.25	AKF 0.5	AKF 1.0
Connection (adhesive union)		DN 20		
Nominal pressure		PN 10		
Operating pressure	bar	2.5 – 8		
Pressure drop at max. flow	bar	0.25		
Max. water / ambient temperature	°C	30 / 40		
Mesh size	µm	10		
Flow capacity	m <sup>3</sup> /h	0.25 (0.07l/s)	0.50 (0.14l/s)	1.00 (0.27l/s)
Filter cartridge (height)		10"	20"	2 x 20"
Installation length (incl. screwing)	mm	265 ± 10	265 ± 10	540 ± 10
Installation height (from pipe centre)	mm	287.5	543.5	543.5
Total height	mm	315	571	571
Installation depth (from pipe centre inlet / outlet)	mm	65	65	190
Installation depth (total)	mm	130	130	380
Wight ca.	kg	1.5	3.5	5

