

HY-MAG *(The successor to HydroMAG)* DN20



ITEM	RATING
Flow rate	0.5l/s (1.8m ³ /h)
Max. inlet pressure	16bar
Pressure loss at nom. flow	54mbar (5.4kPa)
Max. water temperature	80°C
Max. ambient temperature	40°C
Inlet/outlet connections	¾" BSP
Field line across water flow path	90 degrees ± 5 minutes
Magnetic flux density across water flow	2,500 Gauss
Effective conditioning treatment	48 hours
Mechanism to eliminate routine maintenance	Reverse polarity
Unit body casing	Grey cast-iron to DIN 1691
Finish	Internally and externally plasma-coated with food grade Teflon
Electromagnetic coil	110V DC
Weight	8.8kg
Control box	Standard Plus
Power supply	230V/1ph/50Hz
Max. power consumption	31W
Enclosure protection	IP40
Optional control box	For BMS connection use the 'Competition' control box

Scale Control by Physical Water Conditioning

For the inhibition of hard scale formation, a HY-MAG DN20 electromagnetic water conditioning unit shall be installed.

The system shall be environmentally friendly, operating without the need for regenerant chemicals or water wastage and shall promote optimised heat transfer within the water heater and thus contribute positively to the continued reduction of the carbon footprint.

The HY-MAG shall be positioned in the system subject to a system and water analysis by Hydrotec to ensure correct application of the technology.

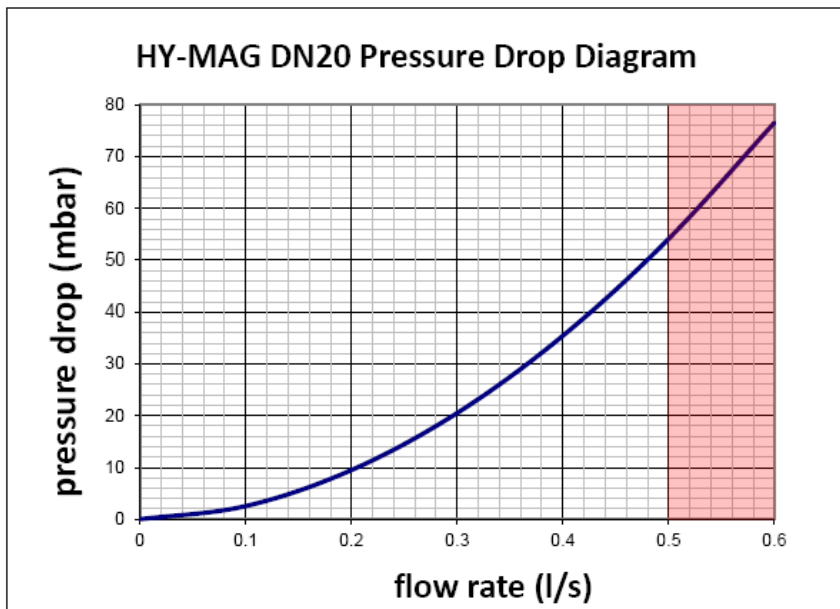
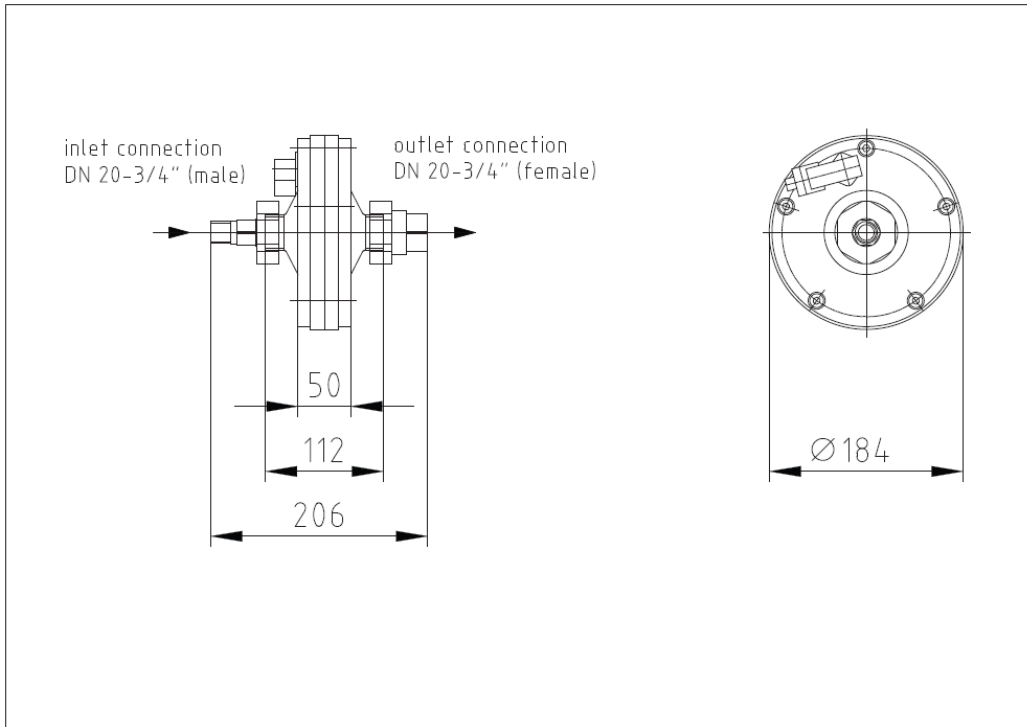
The unit shall comprise of a 110V DC electrical coil for generating the magnetic field, a designed flow path that enables all the water to cross the magnetic field line at an angle of 90 degrees and is internally and externally PTFE plasma-coated.

The 'Standard Plus' control box should have a polarity reversal mechanism to eliminate routine maintenance of the unit and should be connected to a 230V/1ph/50Hz supply through a 5A fused spur.

The control box should be rated IP40.

The unit is to be a HY-MAG DN20 as detailed in the adjacent technical data table.

HY-MAG DN20



Subject to technical revisions and modifications

Hydrotec
Hydrotec House
5 Manor Courtyard
Hughenden Avenue
High Wycombe
Bucks HP13 5RE
Tel: +44 (0) 1494 796040
Fax: +44 (0) 1494 796049
E-mail: sales@hydrotec.co.uk
Website: www.hydrotec.co.uk