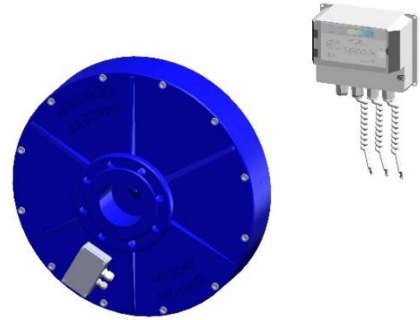


# HY-MAG *(The successor to HydroMAG)* DN100



ITEM	RATING
Flow rate	30.5l/s (110m <sup>3</sup> /h)
Max. inlet pressure	16bar
Pressure loss at nom. flow	595mbar (59.5kPa)
Max. water temperature	80°C
Max. ambient temperature	40°C
Inlet/outlet connections	4" flanged
Field line across water flow path	90 degrees ± 5 minutes
Magnetic flux density across water flow	2,500 Gauss
Effective conditioning treatment	48 hours
Mechanism to eliminate routine maintenance	Reverse polarity
Unit body casing	Grey cast-iron to DIN 1691
Finish	Internally and externally plasma-coated with food grade Teflon
Electromagnetic coil	110V DC
Weight	140kg
Control box	Integral
Power supply	230V/1ph/50Hz
Max. power consumption	450W
Enclosure protection	IP65

## Scale Control by Physical Water Conditioning

For the inhibition of hard scale formation, a HY-MAG DN100 electromagnetic water conditioning unit shall be installed.

The system shall be environmentally friendly, operating without the need for regenerant chemicals or water wastage and shall promote optimised heat transfer within the water heater and thus contribute positively to the continued reduction of the carbon footprint.

The HY-MAG shall be positioned in the system subject to a system and water analysis by Hydrotec to ensure correct application of the technology.

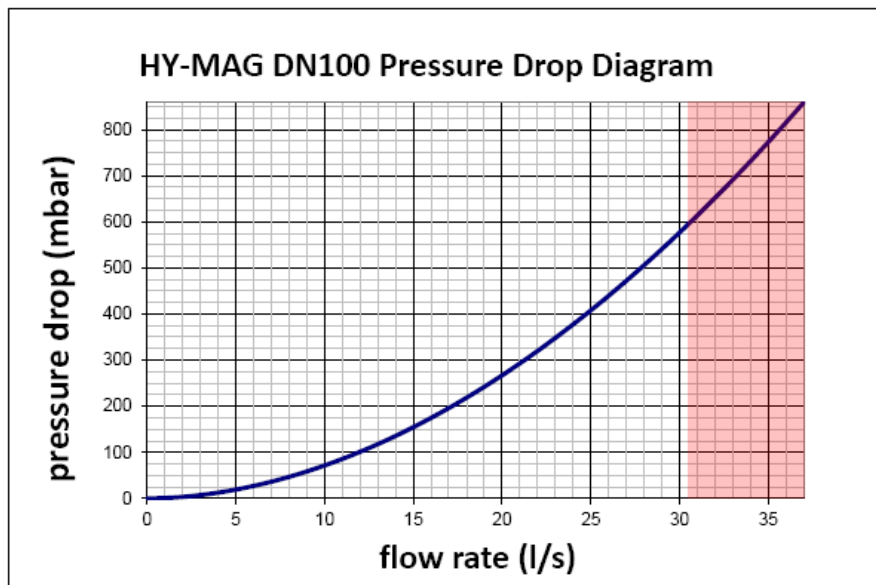
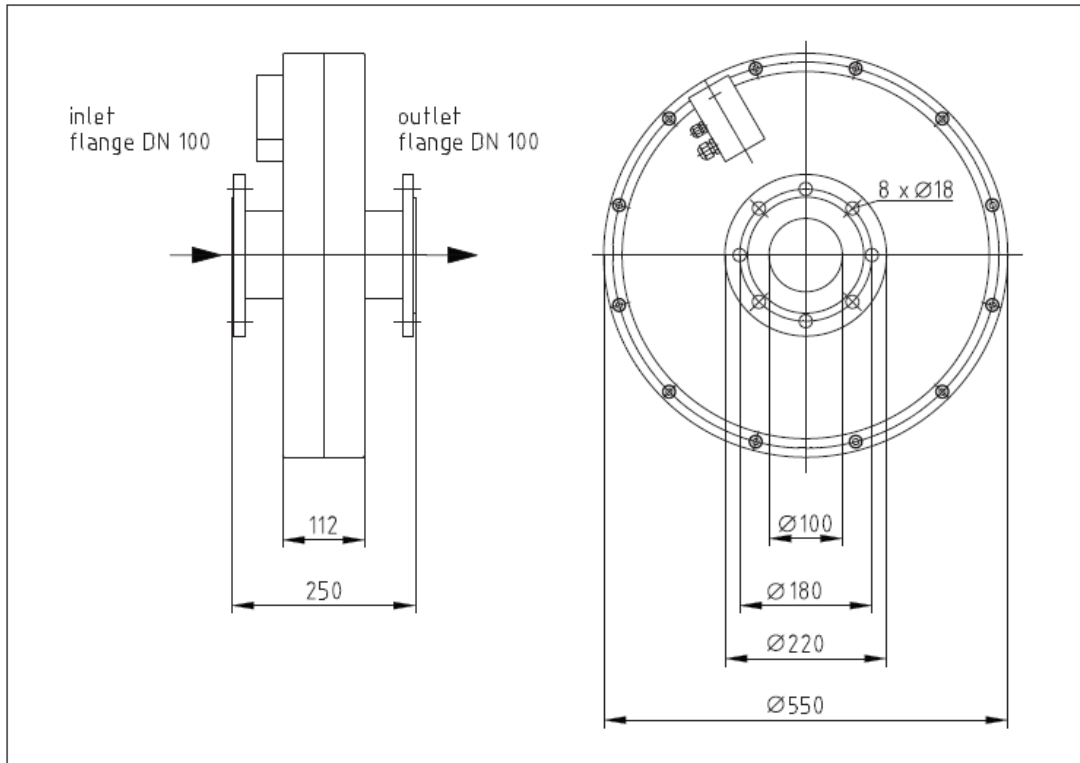
The unit shall comprise of a 110V DC electrical coil for generating the magnetic field, a designed flow path that enables all the water to cross the magnetic field line at an angle of 90 degrees and is internally and externally PTFE plasma-coated.

The 'Integral' control box should have a polarity reversal mechanism to eliminate routine maintenance of the unit, provide thermal protection for the HY-MAG and should be connected to a 230V/1ph/50Hz supply through a 5A fused spur.

The control box should be rated IP65 and be provided with volt free contacts for BMS integration.

The unit is to be a HY-MAG DN65 as detailed in the adjacent technical data table.

## HY-MAG DN100



Subject to technical revisions and modifications

Hydrotec  
 Hydrotec House  
 5 Manor Courtyard  
 Hughenden Avenue  
 High Wycombe  
 Bucks HP13 5RE  
 Tel: +44 (0) 1494 796040  
 Fax: +44 (0) 1494 796049  
 E-mail: sales@hydrotec.co.uk  
 Website: www.hydrotec.co.uk