

# HydroION® VAS 125-CS1.5B



ITEM	RATING
<b>Regulatory Approval</b>	WRAS
<b>Standards Compliance</b>	BS EN 14743:2005+A1:2007
	DIN 1936-100:2008-02
<b>Performance Data</b>	
Nominal flow rate	1.81l/s (6.5m <sup>3</sup> /h)
Flow rate at blending to 60ppm*	2.25l/s (8.1m <sup>3</sup> /h)
Operating pressure	2 – 8bar
Pressure loss at nom. flow	0.78bar
Water temperature	5 – 30°C
Ambient temperature	5 – 40°C
Inlet/outlet connections	40mm (1 ½ ")
Drain line (min.)	50mm (2")
Power supply	230V/1ph/50Hz
Secondary electrical connection	12V AC/500mA
Power consumption	12W
<b>Capacity and Consumption Data</b>	
Capacity*	19.9m <sup>3</sup>
Salt consumption per regen	10kg
Waste water per regen	0.76m <sup>3</sup>
<b>Volumes and Weights</b>	
Resin volume	125l
Resin vessel volume	153l
Brine tank volume	340l
Regeneration salt stock	125kg
Shipping weight (complete unit) ca.	60kg
Operational weight (complete unit) ca.	410kg

\*Assumes a mains water hardness of 300ppm total hardness (as CaCO<sub>3</sub>)

## Scale Control by Water Softening

For the removal of the water hardness salts (calcium and magnesium) a base exchange water softener shall be employed.

The system should be WRAS approved.

Unit size is dependent on water flow rate, water hardness and volume requirement. The capacity and location for the installation of the HydroION® water softener should be determined by the review of the system design by Hydrotec.

The softener will employ a high efficiency strong acid cation exchange resin of high quality mono-spherical grade to ensure optimum performance at very low brining rates (80g/l). This will minimise salt use and environmental impact.

To maintain biological integrity of the water softener system, HydroION® water softeners, as standard, employ an anti-stagnation regeneration facility (typically 4 days). Moreover, an automatic disinfection of the resin bed is performed by the integrated chlorinator at every regeneration cycle.

Typically, the HydroION® CS softener is controlled by a water meter. As standard this can be adjusted to time control and as an option a water hardness monitoring system can be fitted to control the hardness level.

The simplex unit comprises a single resin vessel and a brine tank. It is controlled by an electronic control head with an integrated water meter.

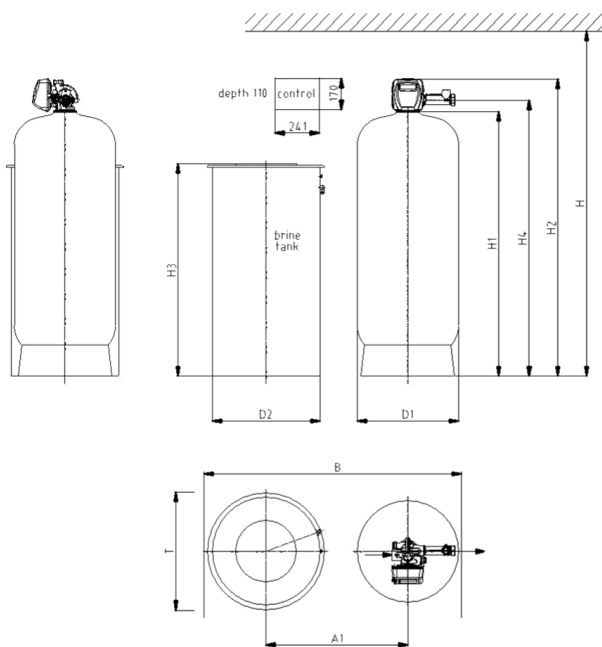
An LCD display indicates operational and fault status. Volt free connections to a BMS system are provided.

Power is to be provided through a 3A switchable fused spur.

The unit is to be a HydroION® VAS 125-CS1.5B as detailed in the adjacent technical data table.



# HydroION® VAS 125-CS1.5B



HydroION VAS 125-CS1.5B		
Control box with mounting board ca.	B x H x T	330 x220 x130 mm
<b>Block Dimensions</b>		
Height (min.)	H	2070mm
Width (min.)	B	1250mm
Depth (min.)	T	750mm
Clearance tank/tank ca.	A1	700mm
Diameter pressure tank	D1	413mm
Diameter brine tank	D2	723mm
Height pressure tank (incl. foot)	H1	1341 ± 15mm
Height top control valve	H2	1570mm
Height brine tank	H3	1200mm
Height inlet/outlet	H4	1430mm

Subject to technical revisions and modifications

Hydrotec  
 Hydrotec House  
 5 Manor Courtyard  
 Hughenden Avenue  
 High Wycombe  
 Bucks HP13 5RE  
 Tel: +44 (0) 1494 796040  
 Fax: +44 (0) 1494 796049  
 E-mail: sales@hydrotec.co.uk  
 Website: www.hydrotec.co.uk